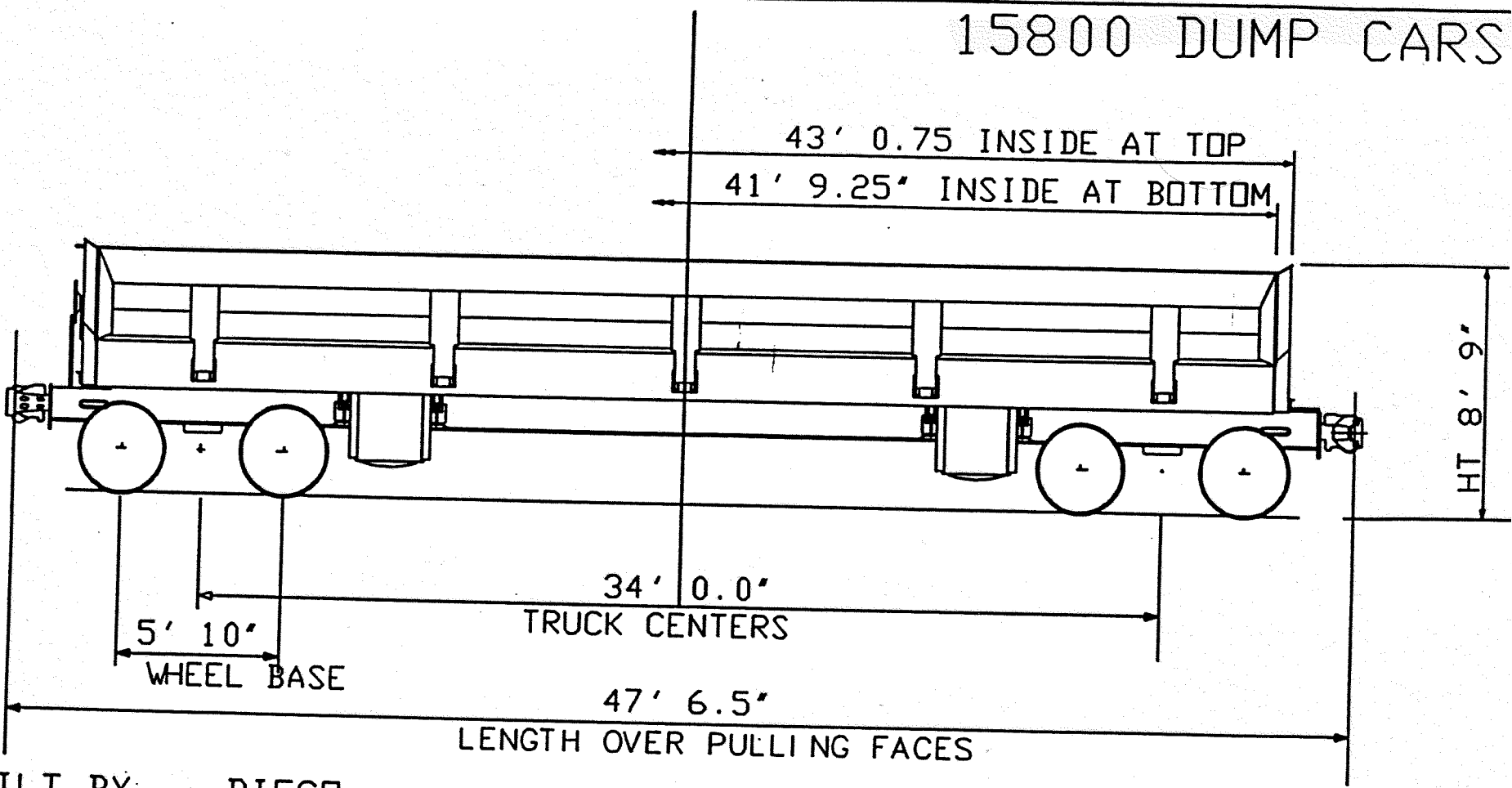


15800 DUMP CARS



BUILT BY DIFCO
 DATE BUILT 1992*
 PURCHASED FROM DIFCO
 PLACED IN SERVICE 1992
 WHEELS 36"
 TRUCKS
 BEARINGS CLASS F
 LT WT (LBS) 65,000 APROX
 CAPACITY 198,000 LB 50 CU YARD
 COUPLERS
 DRAFTGEAR
 YOKES
 AIRBRAKE
 HANDBRAKE

DIMENSIONS:
 HEIGHT OF FLOOR ATR 5' 1"
 MAX. HEIGHT DUMPING 12' 10"
 MAX. WIDTH TO CENTER, DUMPING: 10' 8"
 INSIDE WIDTH AT BOTTOM 7' 6"
 AT TOP 8' 4.75"
 INSIDE HEIGHT 10' 2"
 3' 4"

REV 2/24/94 - JDC
 DWN 12/22/93 - JDC

ALASKA RAILROAD CORP.
 MECHANICAL DEPARTMENT